

DT22F



STANDARD EQUIPMENT

220V/380V power supply to the cage
Auto levelling basket
Auto-jacking/turntable levelling function
Cage hook (max 280 kg / 617 lbs)
Cage multifunction pin
Cage rotation
Dead man pedal both on the cage and on turntable controls
Double telescopic extension booms
Fully electronic proportional hydraulic controls driven by canBUS system
Hands free intercom system ground/cage
Memory function
One click auto-closing function
Remote management and diagnostic software
Smooth movements, no flapping with brakes and ramps
Variable outreach management
Water sprinkler for cage protection

STANDARD COMPLIANCE

UNI EN 1777
UNI EN 1846
CE (european certification)



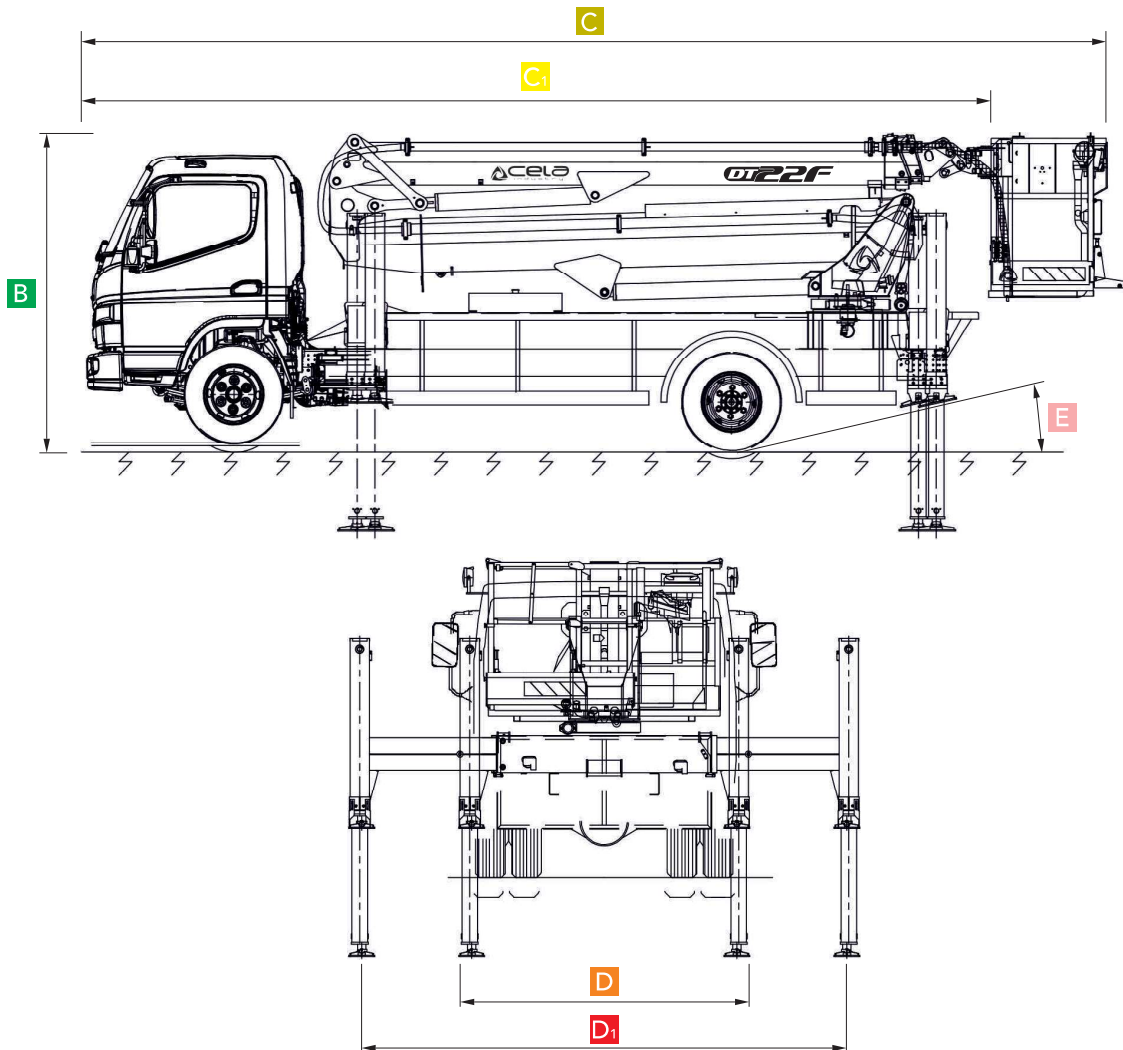
PERFORMANCES

	<i>metric</i>	<i>US</i>
Working height	22 m	72 ft 2 in
Horizontal outreach	14 m	45 ft 11 in
Up and over clearance	10 m	32 ft 10 in
Downreach	- 5 m	- 16 ft 5 in
Lift capacity	280 kg	617 lbs
Minimum GVW	5 T	11023 lbs
Water capacity	1100 l/min	290 GPM (US liquid)
Operating wind speed	12,5 m/s	71 fps

MEASUREMENTS

	<i>metric</i>	<i>US</i>
Foldable front platform	1150x250 mm	3 ft 9 in x 10 ft
Rescue cage size	1800x830x1180 mm	5 ft 11 in x 2 ft 7 in x 3 ft 11 in
Height*	2470 mm	8 ft 1 in
Length* basket off	7050 mm	23 ft 2 in
Length*	7880 mm	25 ft 10 in
Width* outriggers in	2230 mm	7 ft 4 in
Width* outriggers out	3780 mm	12 ft 5 in
Departure angle* (minimum)	12°	22%

* Depending on chassis



360° CONTINUOUS

