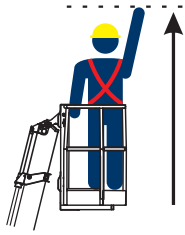
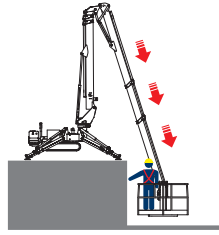


DT25 SPYDER

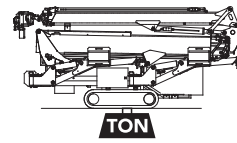




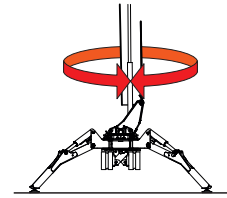
25,00 m



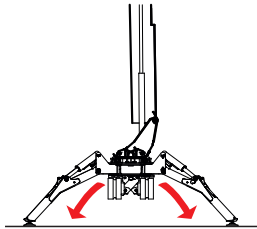
- 5,00 m



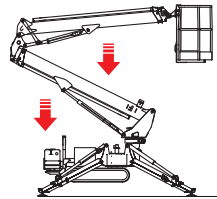
2,95 T



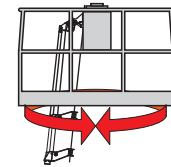
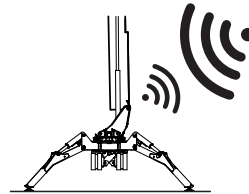
720°



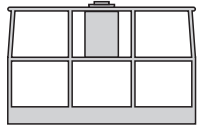
AUTO



AUTO



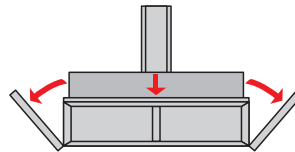
90° + 90°



230 KG



260 KG



200 KG

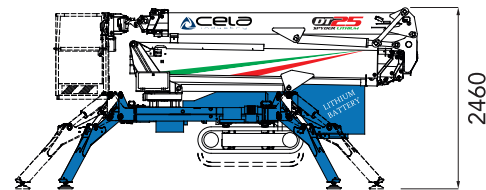
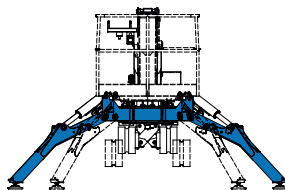
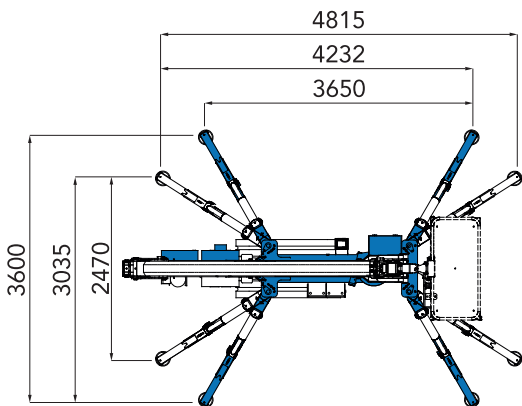
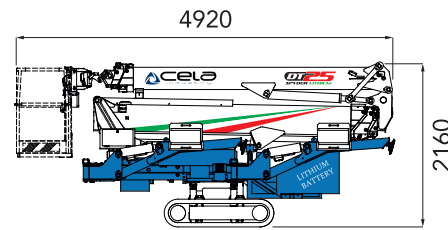
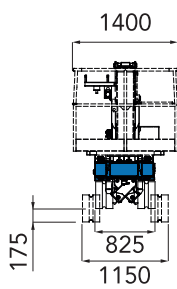
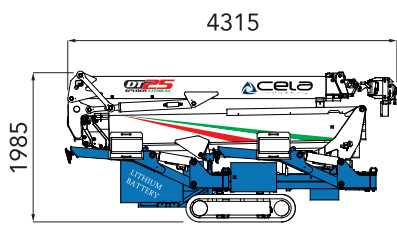
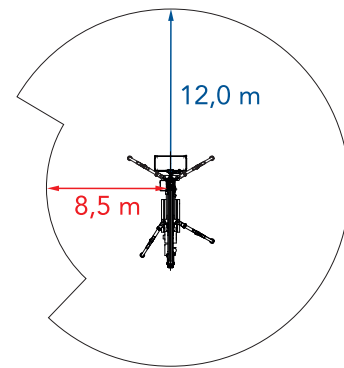
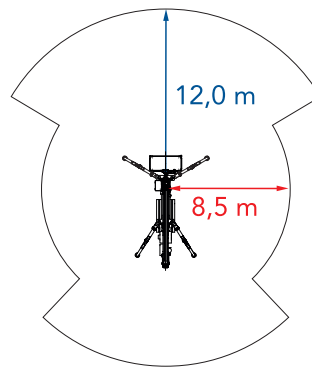
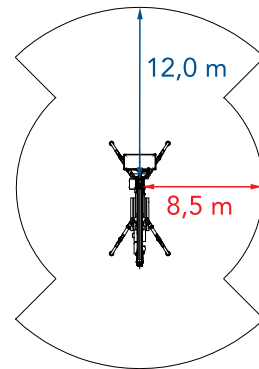
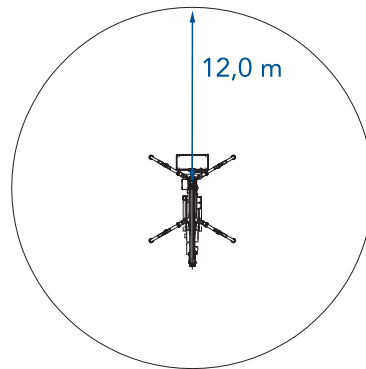
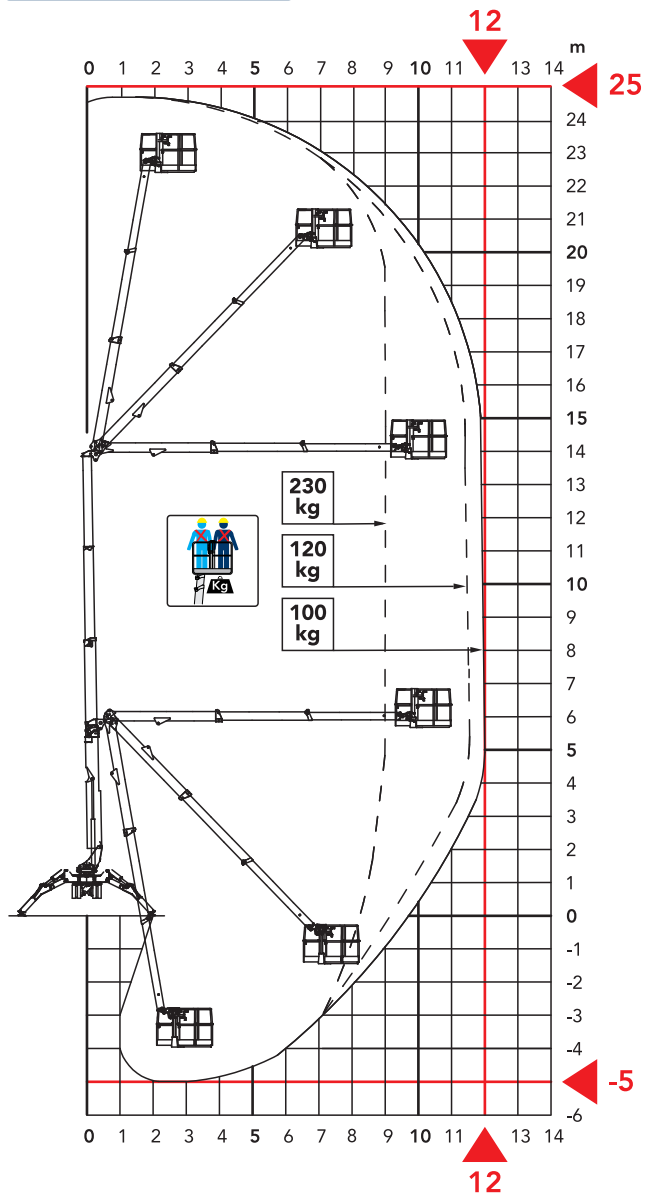


ELECTRONIC
+ RADIO



LITHIUM VERSION
Available





<p>Passiamo sopra ogni cosa We fly all over</p> <p>12,0 m →</p> <p>↑ 14,0 m</p>	<p>Sbarco in quota autorizzato Authorized height landing</p>
<p>Tutto in uno All in one</p> <p>0,7 m</p> <p>00'30"</p> <p>1,4 m</p> <p>1,8 m</p>	<p>Come un ascensore Like an elevator</p> <p>↑ 14,0 m</p> <p>↓ 14,0 m</p>

